



330 Smith St., PO Box 70, Arthur ON, N0G 1A0 Canada  
519-848-5252, 519-848-3234 fax, 1-800-865-7366 toll free  
[www.pros-pick.com](http://www.pros-pick.com) [info@pros-pick.com](mailto:info@pros-pick.com)

## INSTRUCTIONS FOR CHECK STRAP KIT

Thank you for purchasing this Pro's Pick product. This Strap Kit is fabricated from nylon and stainless steel. It is our hope that it should give you many years of trouble free service.

### KIT CONTENTS:

Two nylon straps with stainless buckles  
Four 1/4" nutserts  
Four 1/4"x 3/4" sst button head bolts

### REQUIRED TOOLS:

Drill & 25/64" drill bit  
Nutsert Tool  
Allen Keys  
Blue or red Loctite

This particular kit is universal in nature, so you will have to determine the attachment points, and whether or not you will need to fabricate tabs for attachment. When determining attachment points, bear in mind that the straps will stretch about 3/16" with the weight of the gate. If you ever need to shorten the straps, an upholsterer can do it easily.

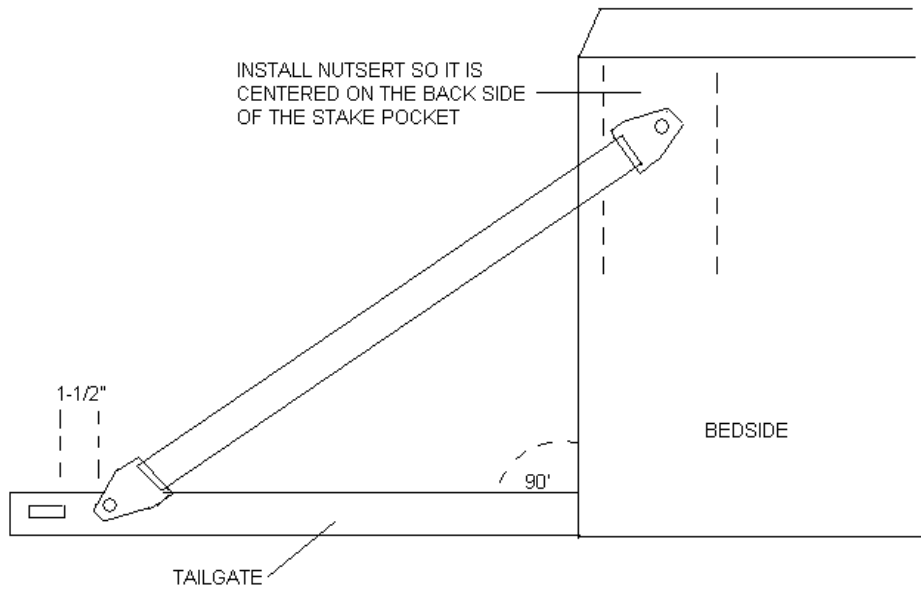
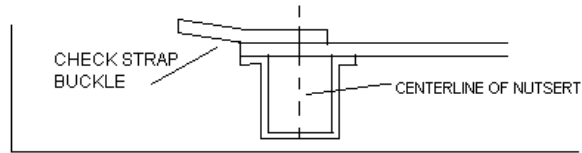
The attachment bolts must be loose enough for the buckles to swivel freely. Use blue loctite to keep these bolts from loosening.

We hope this has been a pleasurable experience for you, and if you have any problems or questions please give us a call. Also, if you have any comments or suggestions for this or other products please call.

Thank you.



# TAILGATE STRAP ON PRO'S PICK SMOOTHIE TAILGATE



## Nutsert Installation - DIAGRAM

